

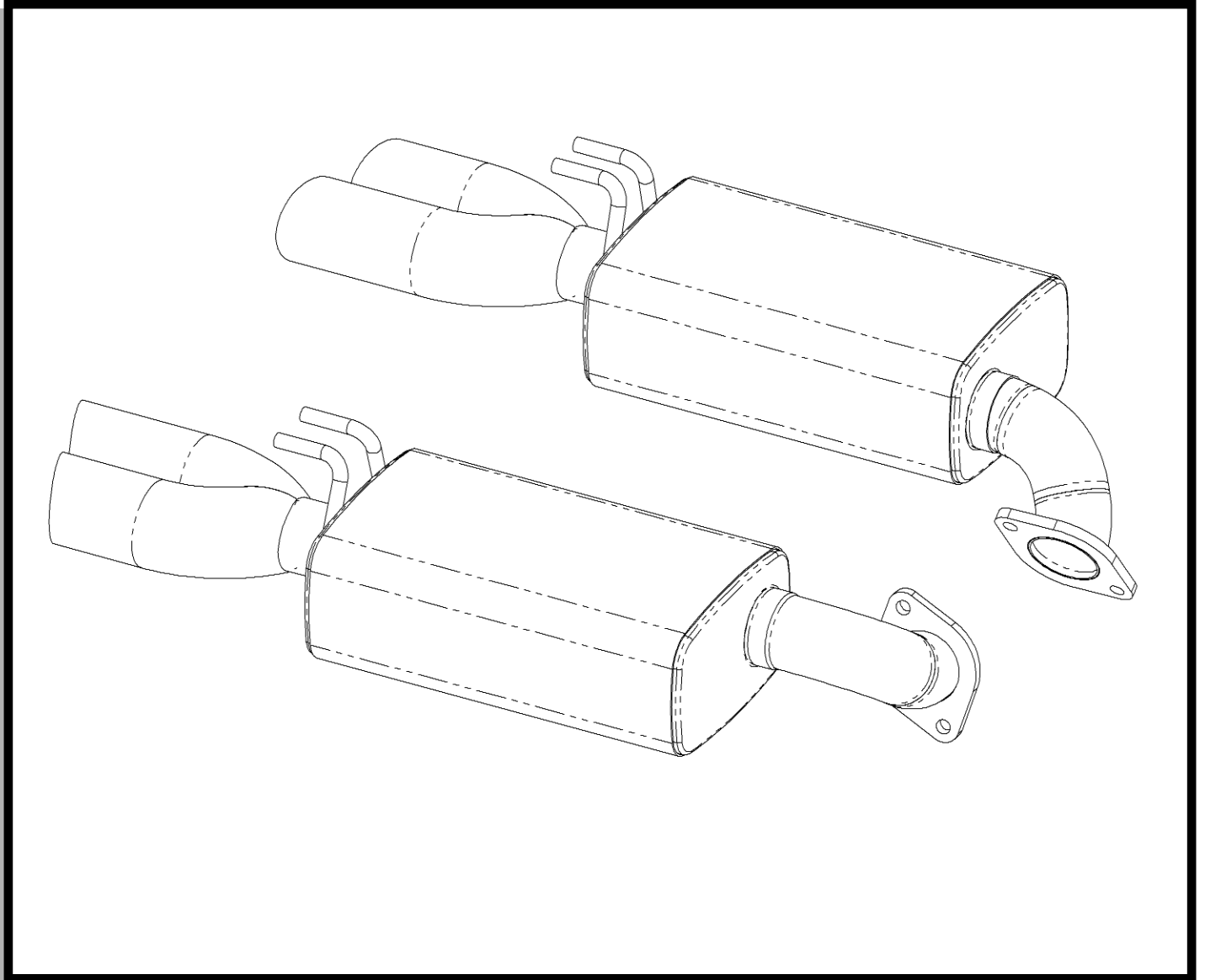
DOUG THORLEY HEADERS

1959

85422

AXLE-BACK EXHAUST SYSTEM

PONTIAC, G8 GT, 5.7L LS1
2008-09



PARTS INCLUDED

Ref.	Part Number	Description	Qty
1)	00-200-01338	Pass. side Muffler Assembly	1
2)	00-200-01339	Driver side Muffler Assembly	1

08-50-45011 REV. A

85422

AXLE-BACK EXHAUST SYSTEM

PONTIAC, G8 GT, 5.7L LS1
2008-09

TOOLS REQUIRED

Ref.	Description	Ref.	Description
1)	3/8" Drive Ratchet	5)	14mm Socket
2)	Assorted Extensions	6)	Crescent Wrench
3)	12mm Socket	7)	WD40 or Equivlant
4)	10mm Wrench		

INSTALLATION INSTRUCTIONS

BEFORE STARTING:

- 1) Gather all appropriate tools and secure a clean work space.
- 2) Read instruction sheet completely. If you have any questions, call our tech. department at (951)739-5900.
- 3) Do not cut or modify parts unless instructed to do so.
- 4) Always disconnect the battery when working on your vehicle to avoid any potential problems.
- 5) Your vehicle should be raised to ease installation. A hoist is ideal, however, installation can be accomplished using a floor jack and jack stands. **CAUTION:** Never work on a vehicle that is supported by a bumper jack only.

REMOVAL/ASSEMBLY:

- 1) Spray WD40 or equivalent lubricant on the rubber hangers and the bolts on the two mounting flanges to allow for easy removal.
- 2) Unbolt the stock mufflers at the 2-bolt flanges located behind the axle. Save all hardware and gaskets as you will reuse them with the new system.
- 3) Slide the hanger rods out of the stock rubber hangers. Save all of the rubber hangers as you will reuse them on your new system.
- 4) Remove both muffler assemblies from vehicle.

85422

AXLE-BACK EXHAUST SYSTEM

**PONTIAC, G8 GT, 5.7L LS1
2008-09**

- 5) Begin by installing the new driver side muffler assembly into the stock rubber hanger and loosely bolt to the stock exhaust system using the original bolts and steel gasket.
- 6) Repeat step #5 for the passenger side muffler assembly.
- 7) After checking for proper system clearance and alignment, tighten the hardware at the flanges.
- 8) Reconnect battery and start vehicle, checking for any exhaust leaks or rattles - adjust system as necessary. After several days driving time, recheck all bolts tightness.